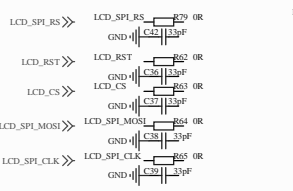
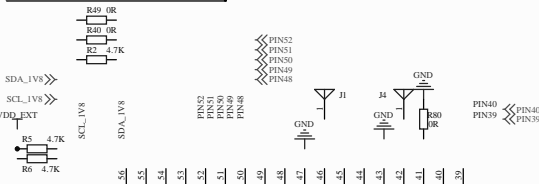
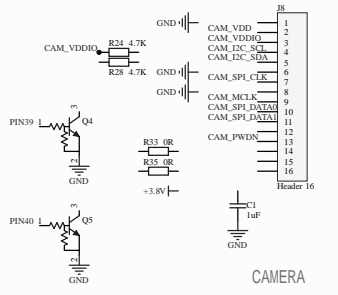
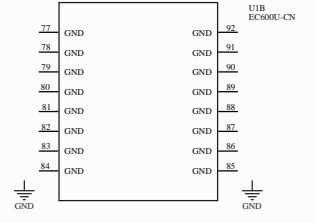
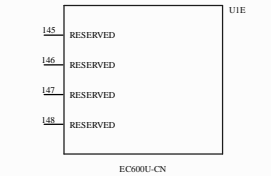
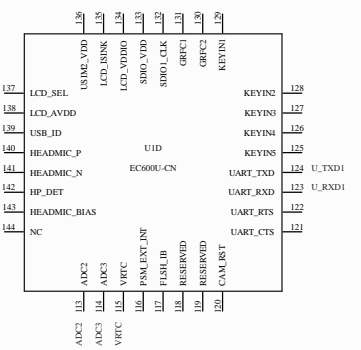
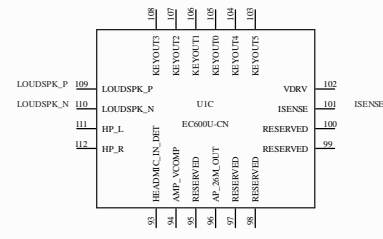
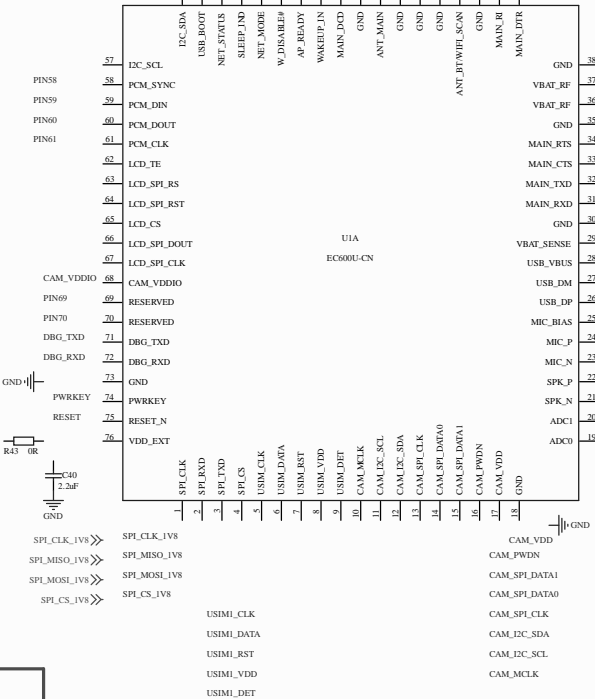
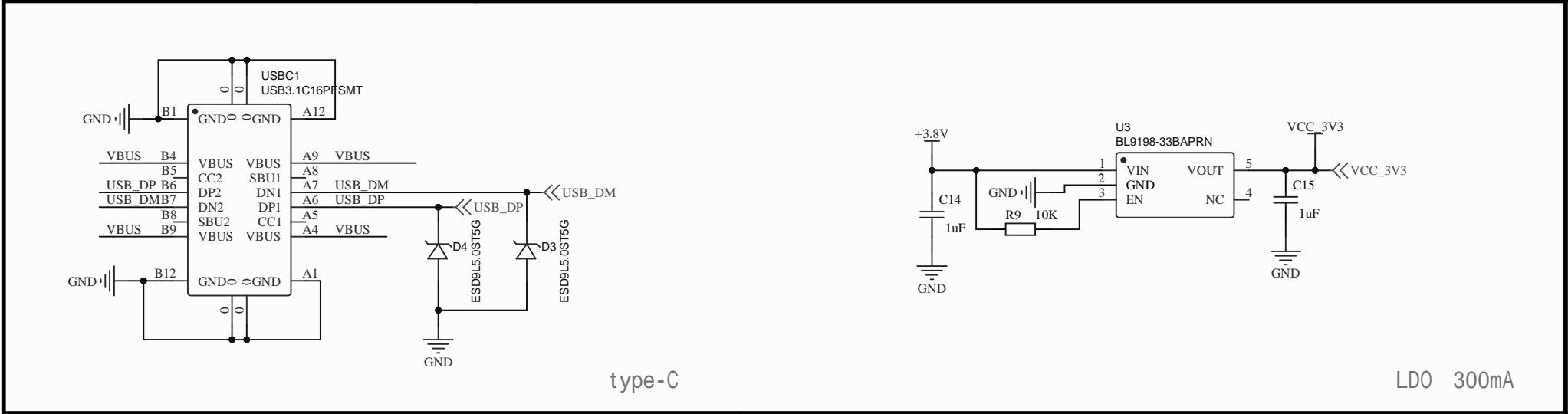
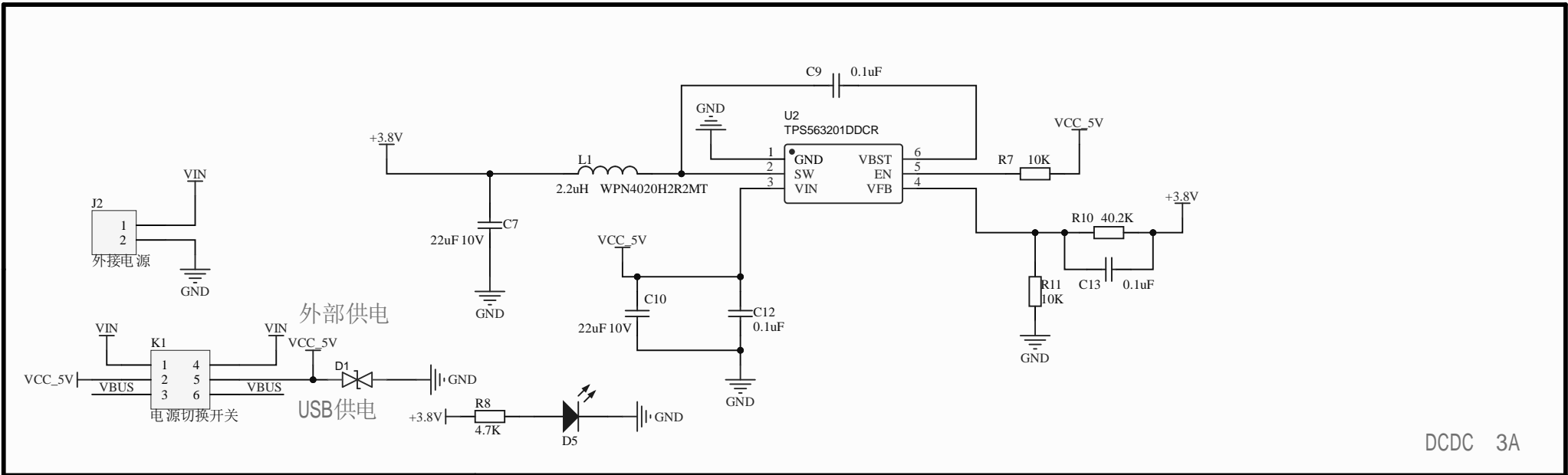


EC600U/G贴片R49  
EC600N/M贴片R40

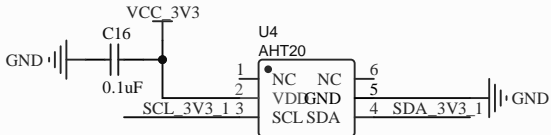
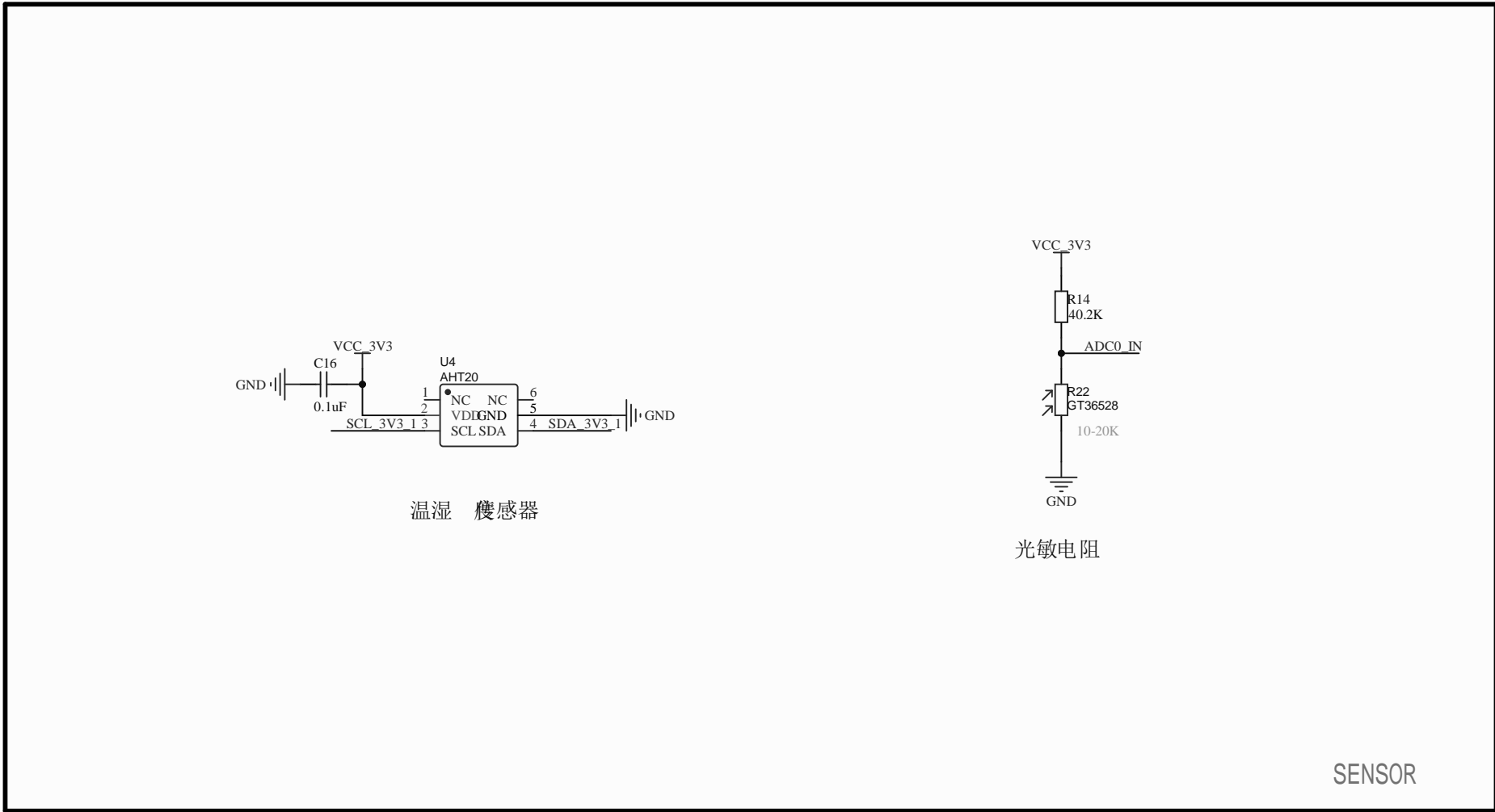


EC600U/G焊R70、R73、R85、R86  
EC600N/M焊R71、R72、R87、R88

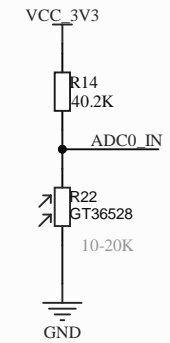




Title		
Size	Number	Revision
A4		
Date:	3-31-2023	Sheet of
File:	G:\项目\...\2.POWER.SchDoc	Drawn By:



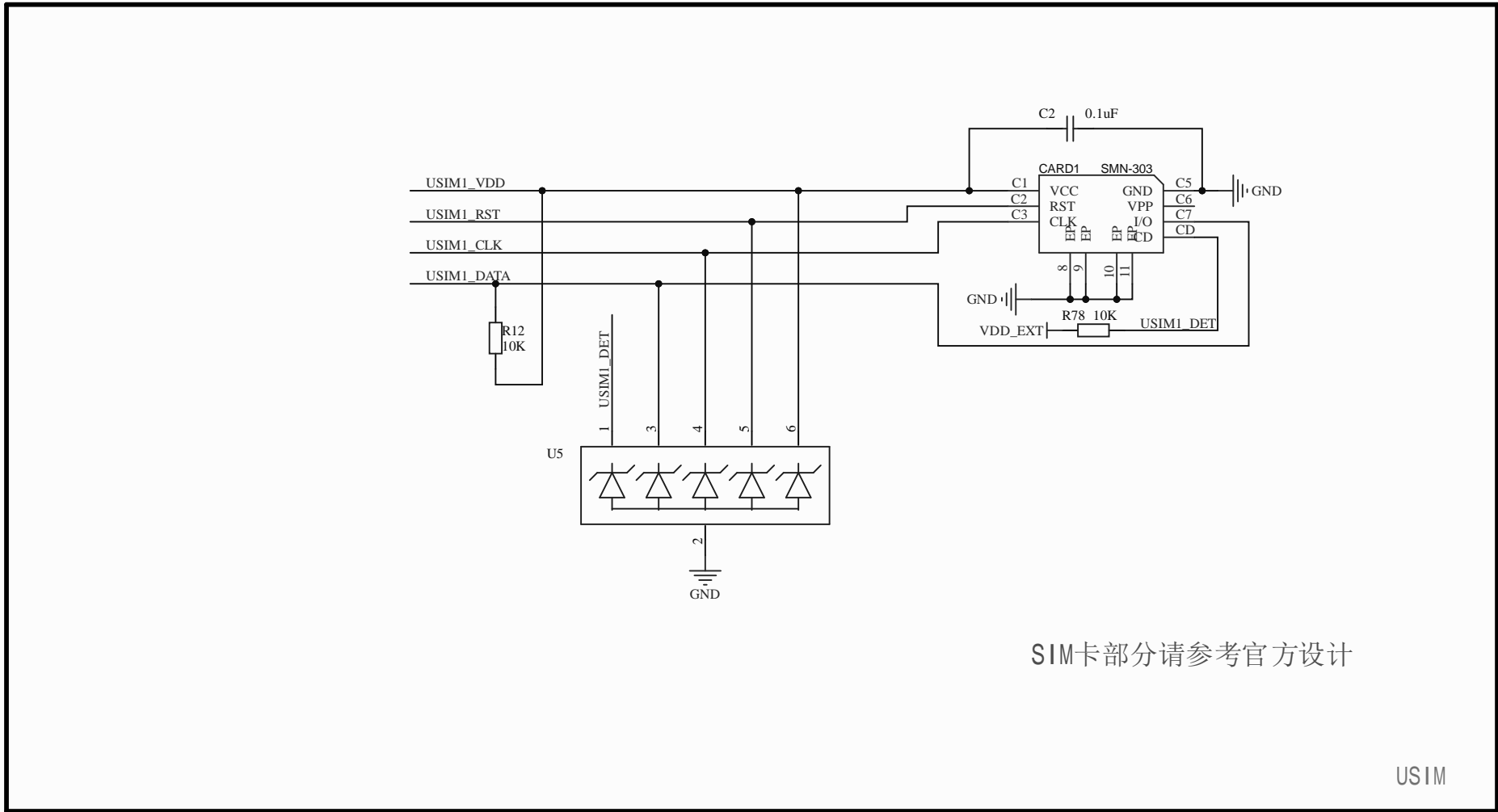
温湿 度传感器



光敏电阻

SENSOR

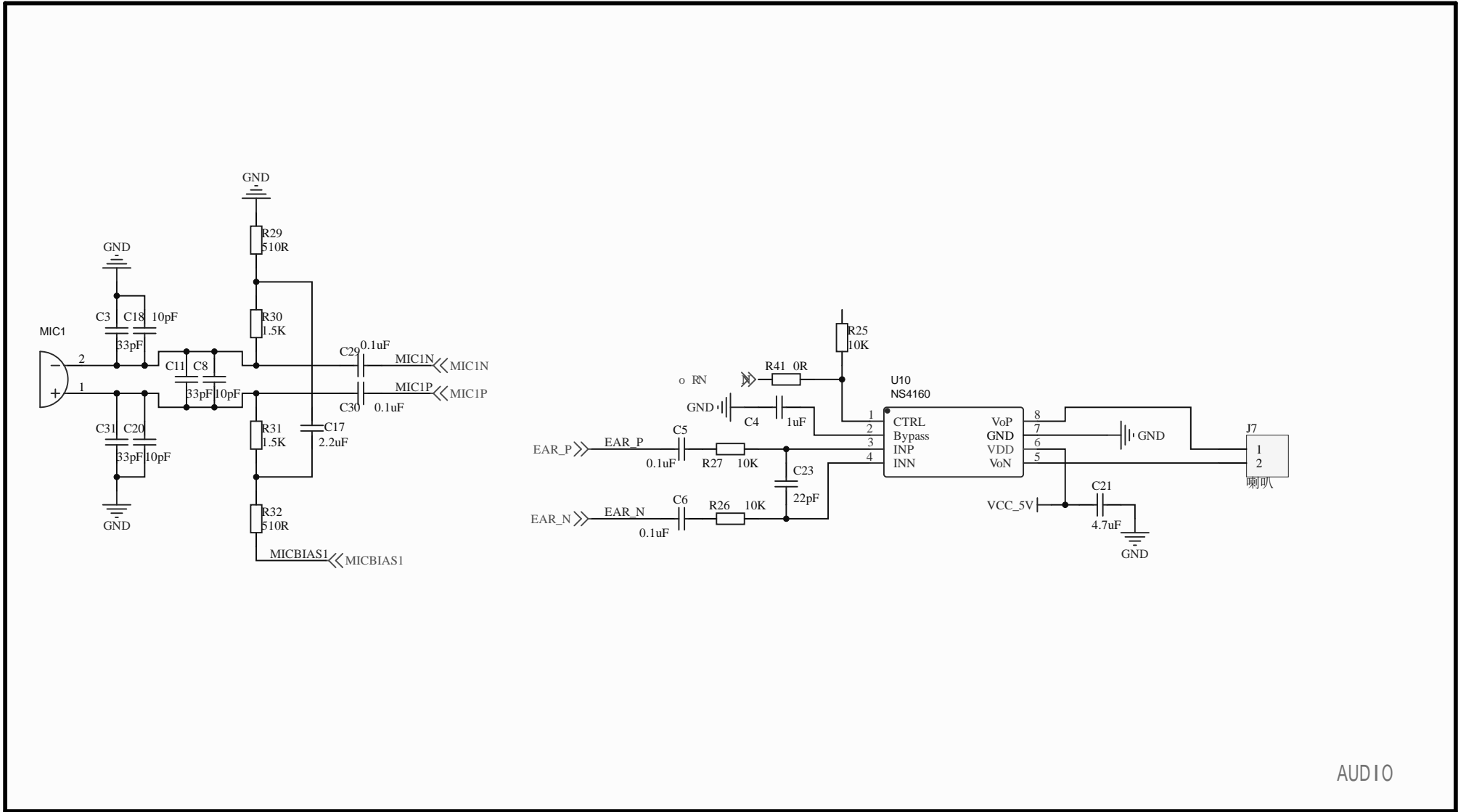
Title		
Size	Number	Revision
A4		
Date:	3-31-2023	Sheet of
File:	G:\项目 \..\3.SENSOR+EEPROM.SchDoc Drawn By:	



SIM卡部分请参考官方设计

USIM

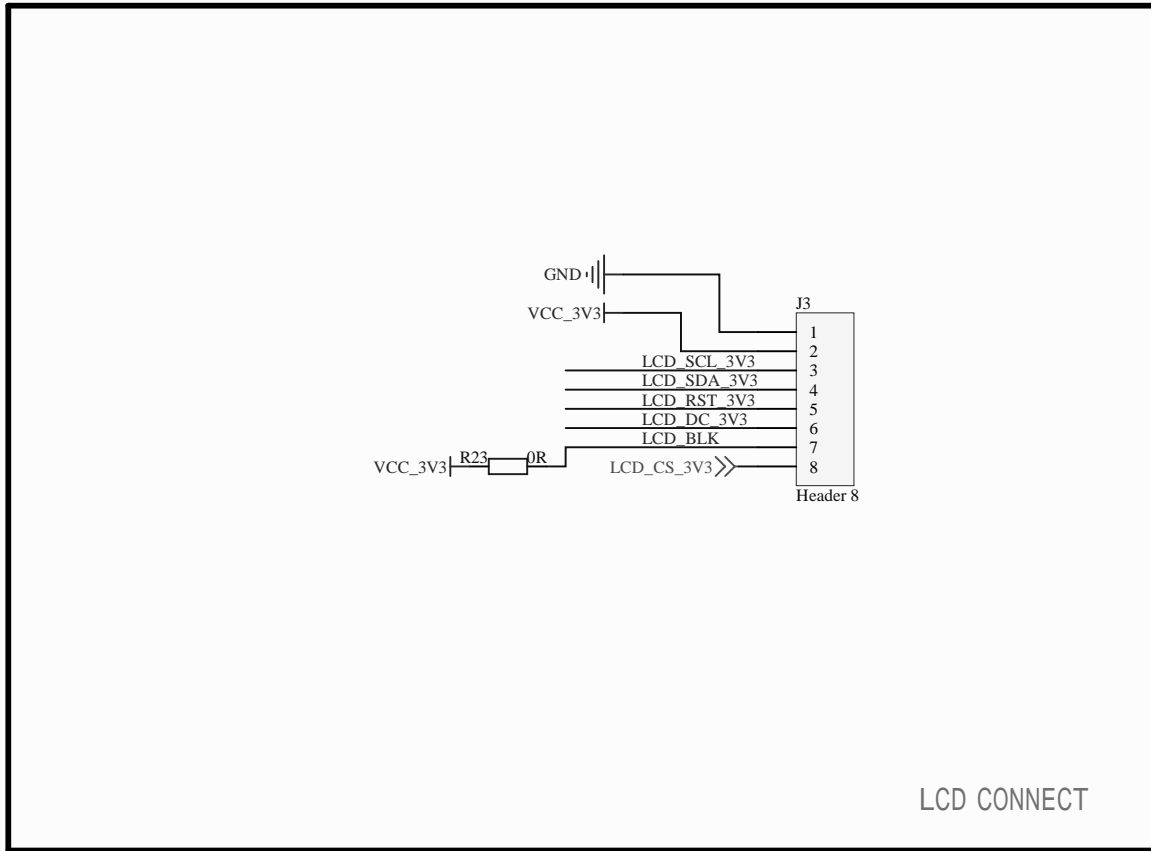
Title		
Size	Number	Revision
A4		
Date:	3-31-2023	Sheet of
File:	G:\项目\...\4.SIM-CARD.SchDoc	Drawn By:



AUDIO

Title		
Size	Number	Revision
A4		
Date:	3-31-2023	Sheet of
File:	G:\项目\...\5.AUDIO.SchDoc	Drawn By:





LCD CONNECT

Title		
Size	Number	Revision
A4		
Date:	3-31-2023	Sheet of
File:	G:\项目\...\7.LCM.SchDoc	Drawn By: